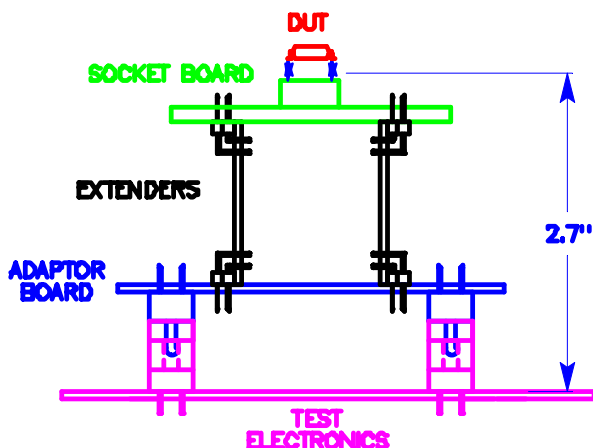




Resistor Network Tester



- Measures resistors; in series, bridge, and buried node configurations
- Super fast test times; less than 1 second with accuracy & repeatability
- 24 pin and 40 pin models
- 3 Measurement ranges: 0.100 ohms to 10,000,000 ohms
- *Particle Interconnect* sockets make low resistance testing practical
- Built-in current source and volt meter
- Fast calibration to known internal or “golden unit” resistors
- Built-in PC-104; no additional computer required; network ready
- MS Windows operator interface; every test data-log standard
- Self calibrates after every test, while handler is loading new device



DUT to Test Electronics

Short electrical path

No cables – As few as 3 connections

100% Solid State – no relays

Particle Interconnect test sockets for

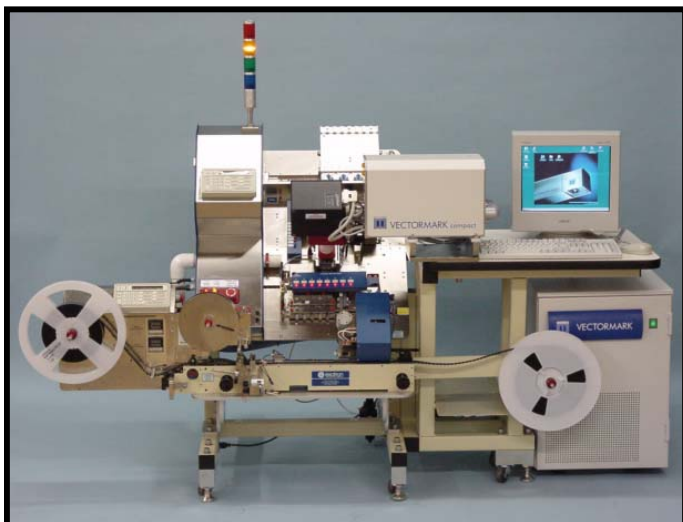
ANY SMD device

- Number of test pins: 24 or 40 easily upgraded
- Measurement time: Less than 5 microseconds per test
- Programmable # of measurements per pin to average out noise/errors
- Current source: 0 to 50 milliamps, with a 5 volt limit; 16 bit DAC
- Very high impedance voltmeter: 20 bit ADC
- Guard voltage power supply
- 8 internal precision calibration resistors
- 3 range adaptors and accuracy:
 - Low Range: 0.100 –100.0 ohms to 0.1%
 - Mid Range: 100 ohms to 1 Meg-ohms +/- 0.001% or better
 - High Range: 10 Meg-ohms to 0.1%
- “On the fly” data-log of all tests, per each part tested
- PC-Anywhere software for remote service and updates
- Test data log in ASCII or Excel spread sheet format
- Handler interface, 2 spare RS-232 ports, printer port standard
- Flat screen monitor, keyboard, mouse, included

Size: 7” W, 14.5” D, 9.3” T
 Weight: 20.6 pounds
 Power: 100/240 VAC, 50/60 Hz
 No air required
 Bench top operation
 1-year factory warranty

Options:
 Test sockets as required
 Non-exatron handler docking
 Capacitance test
 Bar code operator set up
 Spare parts kit
 On-site installation

Model 5000 Handler



Direct dock to handler

